

MINIATURE CIRCUIT BREAKERS (MCB) C100L



Functions:

- protection of the electrical circuits from overload or short circuits of the outer circuit
- it can be used as a device for commutation and control of electrical circuits
- in combination with auxiliary devices it allows remote control, commutation or indication of the protected circuit

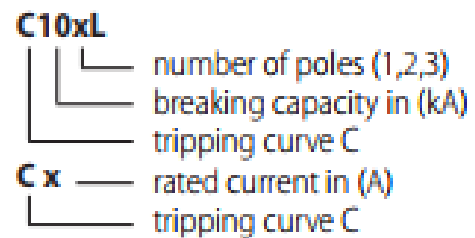
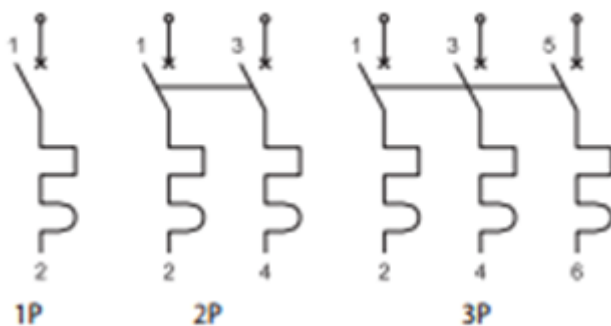


| Technical data: | |
|---|--|
| Rated voltage: | 230/400V; 50/60Hz |
| Breaking capacity (cycle O-CO) in accordance with standard EN 60 898-1: | 10000A |
| Rated breaking capacity: | Ics= 75% Icu |
| Isolating voltage: | ≥2000V, 1 min at impulse wave 1.2/50μs |
| Electrical wear resistance (number of cycles): | 4000 |
| Mechanical (number of cycles): | 20000 |
| Class of current limiting: | 3 |
| IP code: | IP>20 |
| Tripping curve: | C |

Mounting:

- Vertical
- Din-rail
- Possibility for labeling

Schemes:



Basic data:

■ MCB C101L



| Type | Number of poles | Rated current In(A) | Breaking capacity (kA) | Recommended section of the conductor (g/mm) | Packing/ Box (pcs) | Catalog number Curve C | Catalog number Curve B |
|-------------|-----------------|---------------------|------------------------|---|--------------------|------------------------|------------------------|
| C101L / 6A | 1P | 6 | 10 | 1.0 | 12 / 240 | 41101 | 41101B |
| C101L / 10A | 1P | 10 | 10 | 1.5 | 12 / 240 | 41103 | 41103B |
| C101L / 16A | 1P | 16 | 10 | 2.5 | 12 / 240 | 41105 | 41105B |
| C101L / 20A | 1P | 20 | 10 | 2.5 | 12 / 240 | 41107 | 41107B |
| C101L / 25A | 1P | 25 | 10 | 4.0 | 12 / 240 | 41108 | 41108B |
| C101L / 32A | 1P | 32 | 10 | 6.0 | 12 / 240 | 41109 | 41109B |
| C101L / 40A | 1P | 40 | 10 | 10.0 | 12 / 240 | 41111 | 41111B |
| C101L / 50A | 1P | 50 | 10 | 10.0 | 12 / 240 | 41112 | 41112B |
| C101L / 63A | 1P | 63 | 10 | 16.0 | 12 / 240 | 41113 | 41113B |

■ MCB C102L



| Type | Number of poles | Rated current In(A) | Breaking capacity (kA) | Recommended section of the conductor (g/mm) | Packing/ Box (pcs) | Catalog number Curve C | Catalog number Curve B |
|-------------|-----------------|---------------------|------------------------|---|--------------------|------------------------|------------------------|
| C102L / 6A | 2P | 6 | 10 | 1.0 | 6 / 120 | 41201 | 41201B |
| C102L / 10A | 2P | 10 | 10 | 1.5 | 6 / 120 | 41203 | 41203B |
| C102L / 16A | 2P | 16 | 10 | 2.5 | 6 / 120 | 41205 | 41205B |
| C102L / 20A | 2P | 20 | 10 | 2.5 | 6 / 120 | 41207 | 41207B |
| C102L / 25A | 2P | 25 | 10 | 4.0 | 6 / 120 | 41208 | 41208B |
| C102L / 32A | 2P | 32 | 10 | 6.0 | 6 / 120 | 41209 | 41209B |
| C102L / 40A | 2P | 40 | 10 | 10.0 | 6 / 120 | 41211 | 41211B |
| C102L / 50A | 2P | 50 | 10 | 10.0 | 6 / 120 | 41212 | 41212B |
| C102L / 63A | 2P | 63 | 10 | 16.0 | 6 / 120 | 41213 | 41213B |

■ MCB C103L



| Type | Number of poles | Rated current In(A) | Breaking capacity (kA) | Recommended section of the conductor (g/mm) | Packing/ Box (pcs) | Catalog number Curve C | Catalog number Curve B |
|-------------|-----------------|---------------------|------------------------|---|--------------------|------------------------|------------------------|
| C103L / 6A | 3P | 6 | 10 | 1.0 | 4 / 80 | 41301 | 41301B |
| C103L / 10A | 3P | 10 | 10 | 1.5 | 4 / 80 | 41303 | 41303B |
| C103L / 16A | 3P | 16 | 10 | 2.5 | 4 / 80 | 41305 | 41305B |
| C103L / 20A | 3P | 20 | 10 | 2.5 | 4 / 80 | 41307 | 41307B |
| C103L / 25A | 3P | 25 | 10 | 4.0 | 4 / 80 | 41308 | 41308B |
| C103L / 32A | 3P | 32 | 10 | 6.0 | 4 / 80 | 41309 | 41309B |
| C103L / 40A | 3P | 40 | 10 | 10.0 | 4 / 80 | 41311 | 41311B |
| C103L / 50A | 3P | 50 | 10 | 10.0 | 4 / 80 | 41312 | 41312B |
| C103L / 63A | 3P | 63 | 10 | 16.0 | 4 / 80 | 41313 | 41313B |

■ MCB C104L



| Type | Number of poles | Rated current In(A) | Breaking capacity (kA) | Recommended section of the conductor (g/mm) | Packing/ Box (pcs) | Catalog number Curve C | Catalog number Curve B |
|-------------|-----------------|---------------------|------------------------|---|--------------------|------------------------|------------------------|
| C104L / 6A | 4P | 6 | 10 | 1.0 | 3 / 60 | 41401 | 41401B |
| C104L / 10A | 4P | 10 | 10 | 1.5 | 3 / 60 | 41403 | 41403B |
| C104L / 16A | 4P | 16 | 10 | 2.5 | 3 / 60 | 41405 | 41405B |
| C104L / 20A | 4P | 20 | 10 | 2.5 | 3 / 60 | 41407 | 41407B |
| C104L / 25A | 4P | 25 | 10 | 4.0 | 3 / 60 | 41408 | 41408B |
| C104L / 32A | 4P | 32 | 10 | 6.0 | 3 / 60 | 41409 | 41409B |
| C104L / 40A | 4P | 40 | 10 | 10.0 | 3 / 60 | 41411 | 41411B |
| C104L / 50A | 4P | 50 | 10 | 10.0 | 3 / 60 | 41412 | 41412B |
| C104L / 63A | 4P | 63 | 10 | 16.0 | 3 / 60 | 41413 | 41413B |

Standards:

- EN 60898-1:2003
- EN 60947-2:2006

